

## Sara Lance



### *Education:*

B.S.E. (2002) Chem.Engineering, Arizona State University

*Current position:* PhD student and research assistant, School of Earth & Atmospheric Sciences, GA Tech; ASP graduate fellow, National Center for Atmospheric Research, CO

<http://www.asp.ucar.edu/~lance/academic.htm>

### Research Interests:

- **Characterization of aerosol-water interactions**

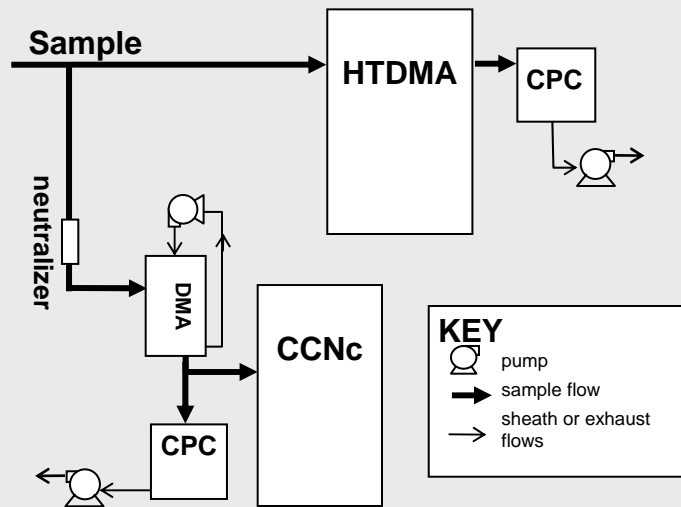
parallel measurements of size-resolved aerosol hygroscopicity and cloud activation potential

- **Exploring the kinetics of water uptake**

experimentally constraining hygroscopic growth rates and droplet growth rates for polluted and pristine aerosol

# Sara Lance: Aerosol-Water Interactions

Ambient sampling and biogenic chamber experiments



Measurement Suite  
Parallel measurements of  
size-resolved hygroscopicity  
(with HTDMA) and cloud  
droplet activation potential  
(with CCNc)

ambient aerosol-water interactions in  
polluted and pristine environments



water  
interactions  
with secondary  
organic aerosol  
generated in  
biogenic  
chamber  
experiments

